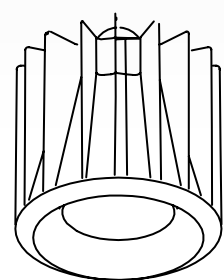
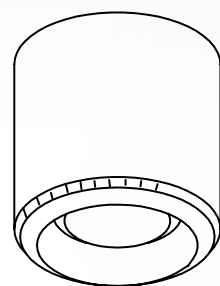




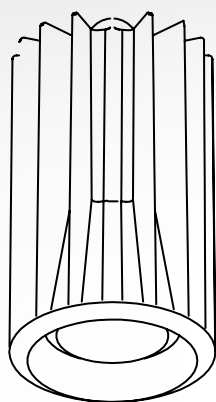
An extended family  
of high output projectors



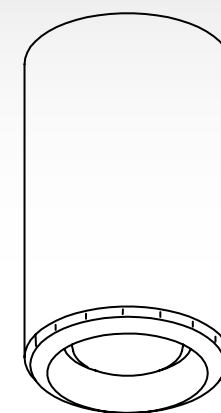
PICO  
X021



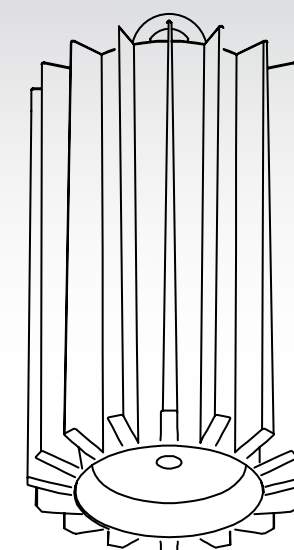
PIXEL  
X026



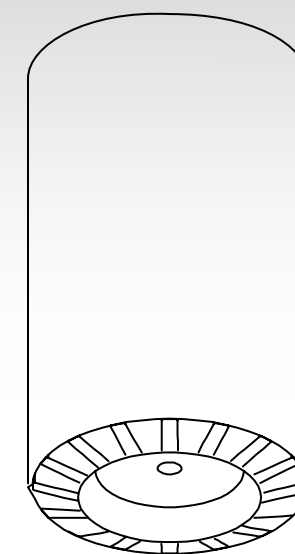
NANO  
X033



VOXEL  
X064



TURBINE  
X045



POINT  
X044



Big punch  
Little package



Same punch  
Different package





Rugged  
elegance

NANO - X033

 EUREKA



Unapologetic  
high performance

VOXEL - X064

 EUREKA





Grinding out  
the lumens



Same look  
more intense



It's all about performance

# Anatomy

BIM

DIM

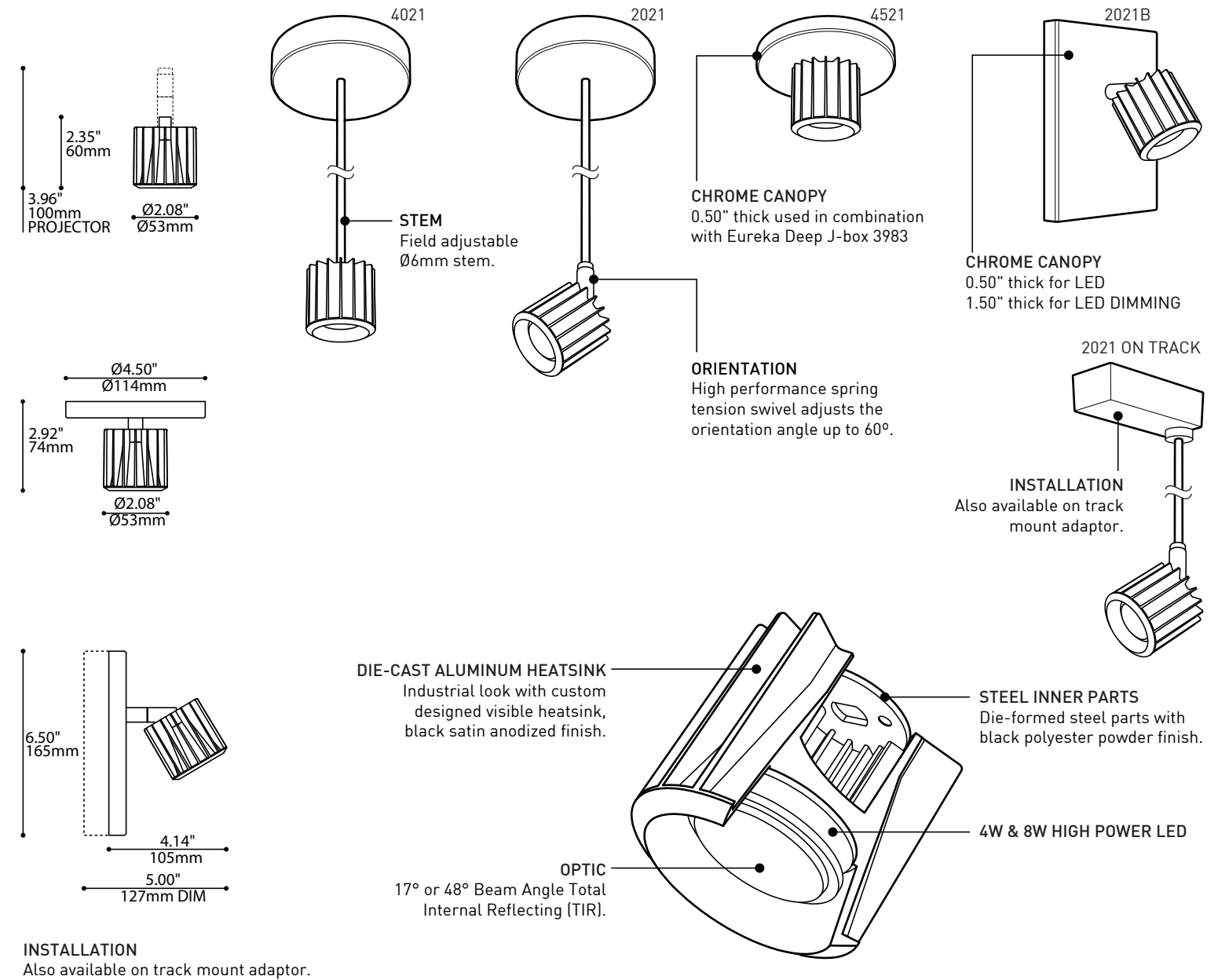
IES

LED

2021  
2021B  
350i

2021  
2021B  
60i

PICO  
X021



## SPECIFICATIONS

LIGHT SOURCE  
DELIVERED LUMENS  
CRI  
CCT  
HEATSINK  
LIGHT DISTRIBUTION  
OPTICS  
VOLTAGE  
DRIVER  
DIMMING  
LM-79  
WARRANTY

## 4W LED

4x1W High Power LED on MCPCB - System Wattage 4.8W Total  
541 lm  
80 CRI (typical)  
3-step MacAdam Ellipse binning  
Black anodized aluminum  
Directional projector [2021/2021B] or Direct [4021/4521]  
Total Internal Reflection (TIR) of 17° & 48° beam angle  
120V (DP) and 120-277V (DV)  
Constant Current driver 350mA, UL Recognized  
Phase Dimming (DP) and 0-10V Dimming (DV)  
On request  
5 years

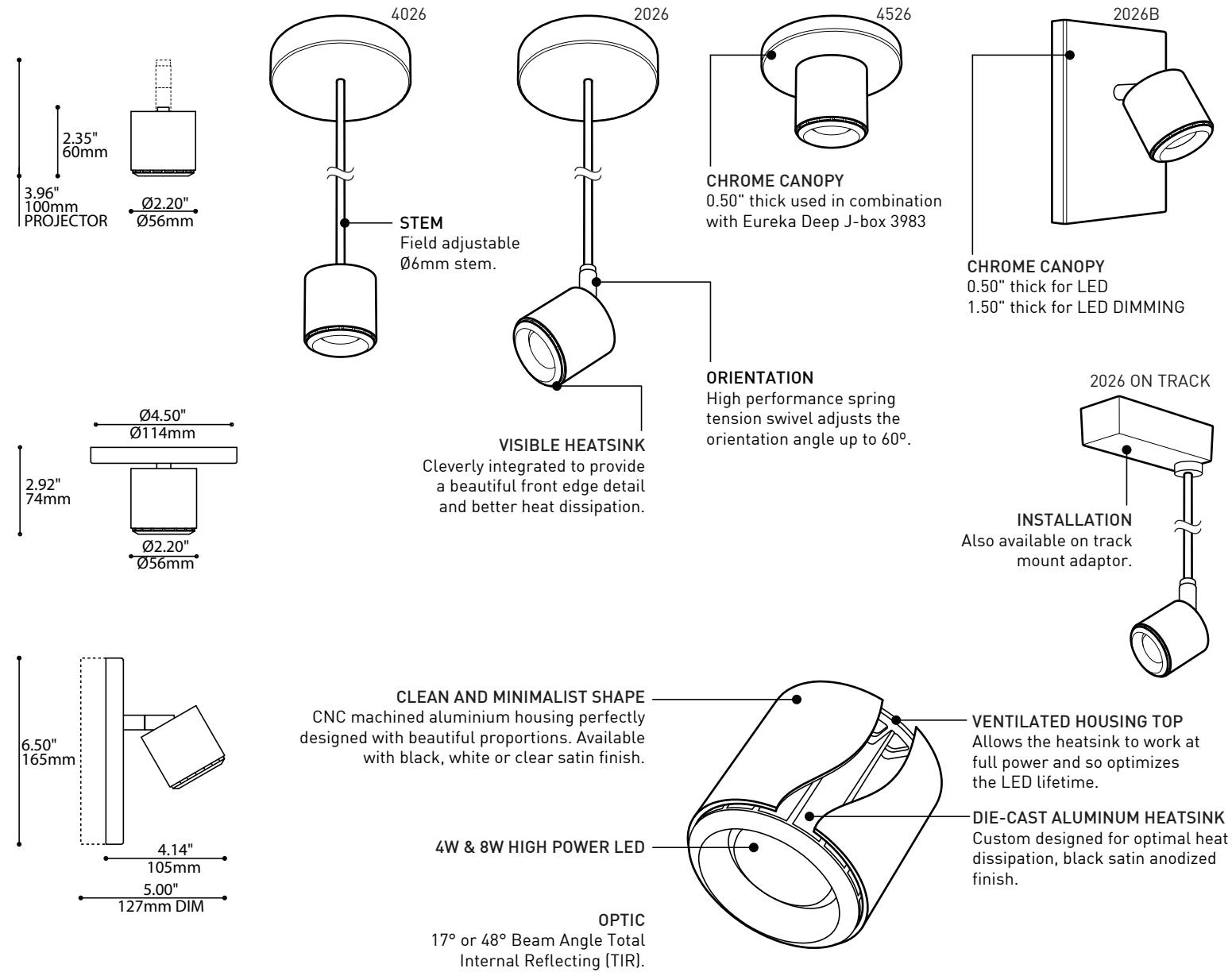
## 8W LED

4x2W High Power LED on MCPCB - System Wattage 9.9W Total  
1003 lm  
Constant Current driver 700mA, UL Recognized  
On request



# Anatomy

BIM DIM IES LED
2021 2021B 350i 2021 2021B 60i
PIXEL X026

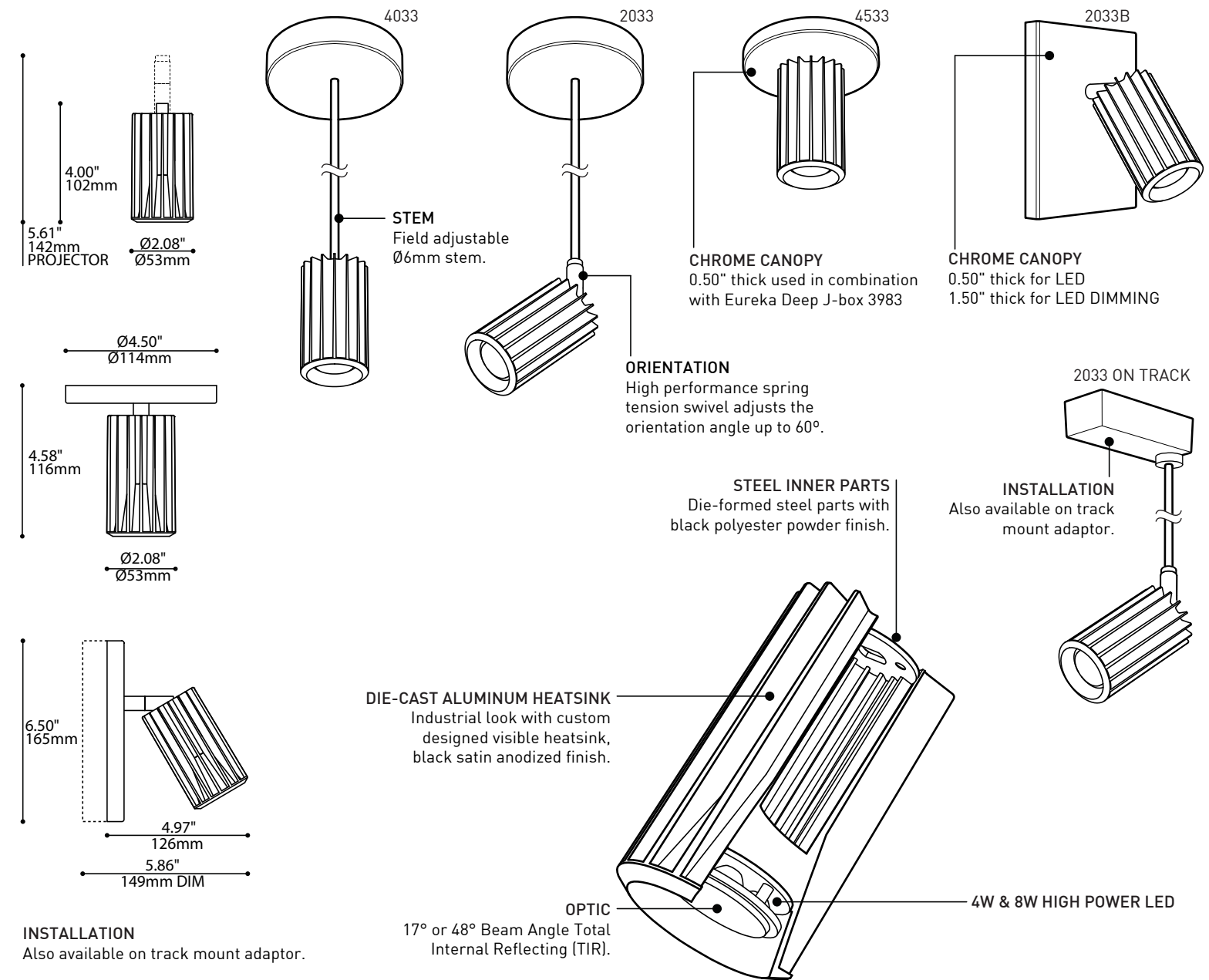


## SPECIFICATIONS

	4W LED	8W LED
LIGHT SOURCE	4x1W High Power LED on MCPCB - System Wattage 4.8W Total	4x2W High Power LED on MCPCB - System Wattage 9.9W Total
DELIVERED LUMENS	541 lm	1003 lm
CRI	80 CRI (typical)	
CCT	3-step MacAdam Ellipse binning	
HOUSING	Machined aluminium cylinder	
HEATSINK	Black anodized aluminum	
LIGHT DISTRIBUTION	Directional projector (2026/2026B) or Direct (4026/4526)	
OPTICS	Total Internal Reflection (TIR) of 17° & 48° beam angle	
VOLTAGE	120V (DP) and 120-277V (DV)	
DRIVER	Constant Current driver 350mA, UL Recognized	Constant Current driver 700mA, UL Recognized
DIMMING	Phase Dimming (DP) and 0-10V Dimming (DV)	
LM-79	On request	On request
WARRANTY	5 years	

# Anatomy

BIM DIM IES LED
2021 2021B 350i 2021 2021B 60i
NANO X033

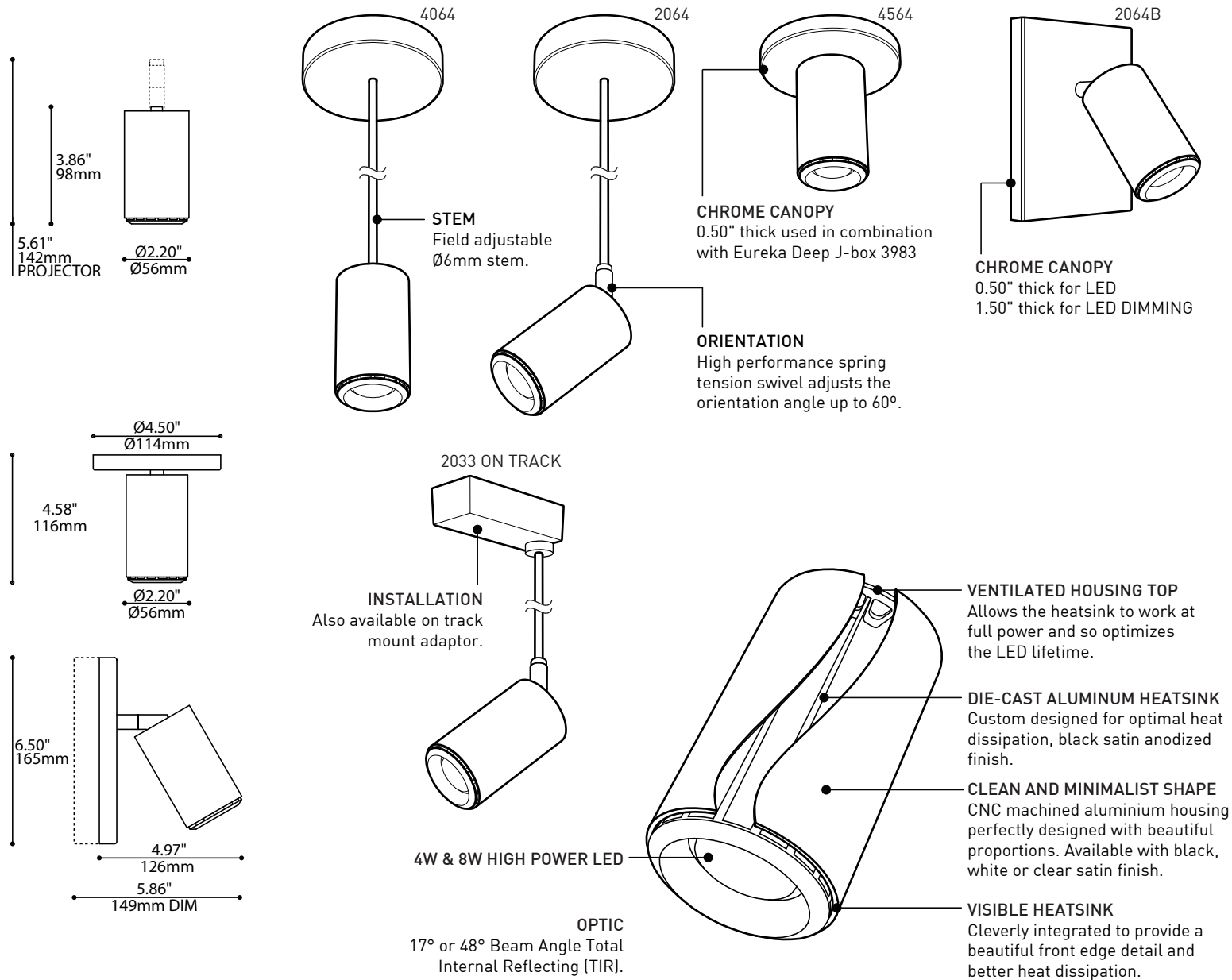


## SPECIFICATIONS

	4W LED	8W LED
LIGHT SOURCE	4x1W Nichia - System Wattage 4.8W Total	4x2W Nichia - System Wattage 9.9W Total
DELIVERED LUMENS	541 lm	1003lm
CRI	80 CRI (typical)	
CCT	3-step MacAdam Ellipse binning	
HEATSINK	Black anodized aluminum	
LIGHT DISTRIBUTION	Directional projector (2033/2033B) or Direct (4033/4533)	
OPTICS	Total Internal Reflection (TIR) of 17° & 48° beam angle	
VOLTAGE	120V (DP) and 120-277V (DV)	
DRIVER	Constant Current driver 350mA, UL Recognized	Constant Current driver 700mA, UL Recognized
DIMMING	Phase Dimming (DP) and 0-10V Dimming (DV)	
LM-79	On request	On request
WARRANTY	5 years	

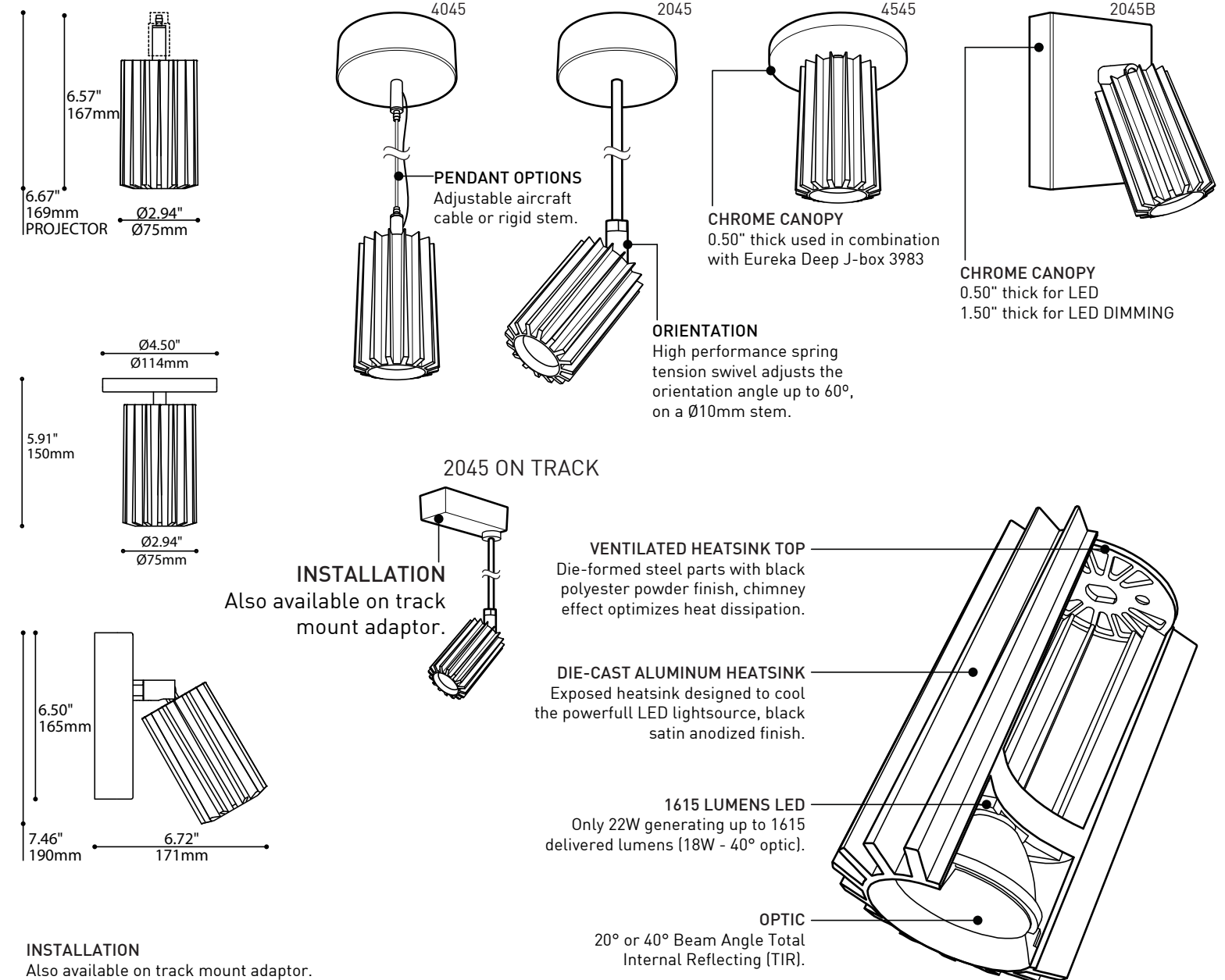
# Anatomy

BIM DIM IES LED
2021 2021B 350i 2021 2021B 60i
VOXEL X064



# Anatomy

BIM DIM IES LED
2021 2021B 350i 2021 2021B 60i
TURBINE X045



## SPECIFICATIONS

	4W LED	8W LED
LIGHT SOURCE	4x1W High Power LED on MCPCB - System Wattage 4.9W Total	4x2W High Power LED on MCPCB - System Wattage 9.9W Total
DELIVERED LUMENS	541 lm	1003 lm
CRI	80 CRI (typical)	
CCT	3-step MacAdam Ellipse binning	
HOUSING	Machined aluminium cylinder	
HEATSINK	Black anodized aluminum	
LIGHT DISTRIBUTION	Directional projector (2064/2064B) or Direct (4064/4564)	
OPTICS	Total Internal Reflection (TIR) of 17° & 48° beam angle	
VOLTAGE	120V (DP) and 120-277V (DV)	
DRIVER	Constant Current driver 350mA, UL Recognized	Constant Current driver 700mA, UL Recognized
DIMMING	Phase Dimming (DP) and 0-10V Dimming (DV)	
LM-79	On request	On request
WARRANTY	5 years	

## SPECIFICATIONS

	11W LED	18W LED
LIGHT SOURCE	1 x COB LED - System wattage 15W Total	1 x COB LED - System wattage 22W Total
DELIVERED LUMENS	1438 lm (40° optic) or 1457 lm (20° optic)	1858 lm (40° optic) or 1882 lm (20° optic)
CRI	80 CRI (typical)	
CCT	3-step MacAdam Ellipse binning	
HEATSINK	Black anodized aluminum	
LIGHT DISTRIBUTION	Directional projector (2045/2045B) or Direct (4045/4545)	
OPTICS	Total Internal Reflection (TIR) - 20° & 40° total beam angle	
VOLTAGE	120V (DP) and 120-277V (DV)	
DRIVER	Constant Current driver 350mA, UL Recognized	Constant Current driver 500mA, UL Recognized
DIMMING	Phase Dimming (DP) and 0-10V Dimming (DV)	
LM-79	On request	On request
WARRANTY	5 years	

# Anatomy

BIM

DIM

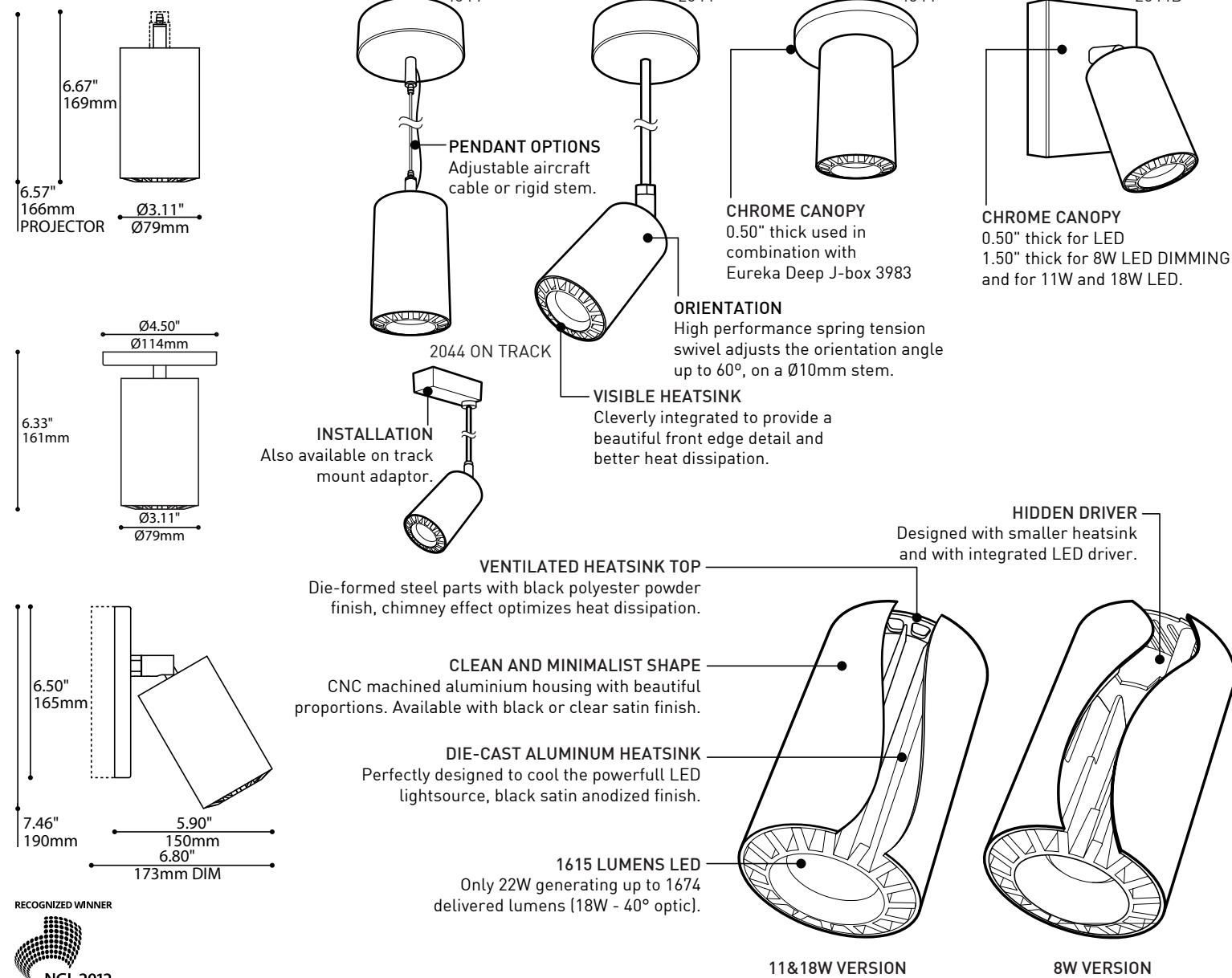
IES

LED

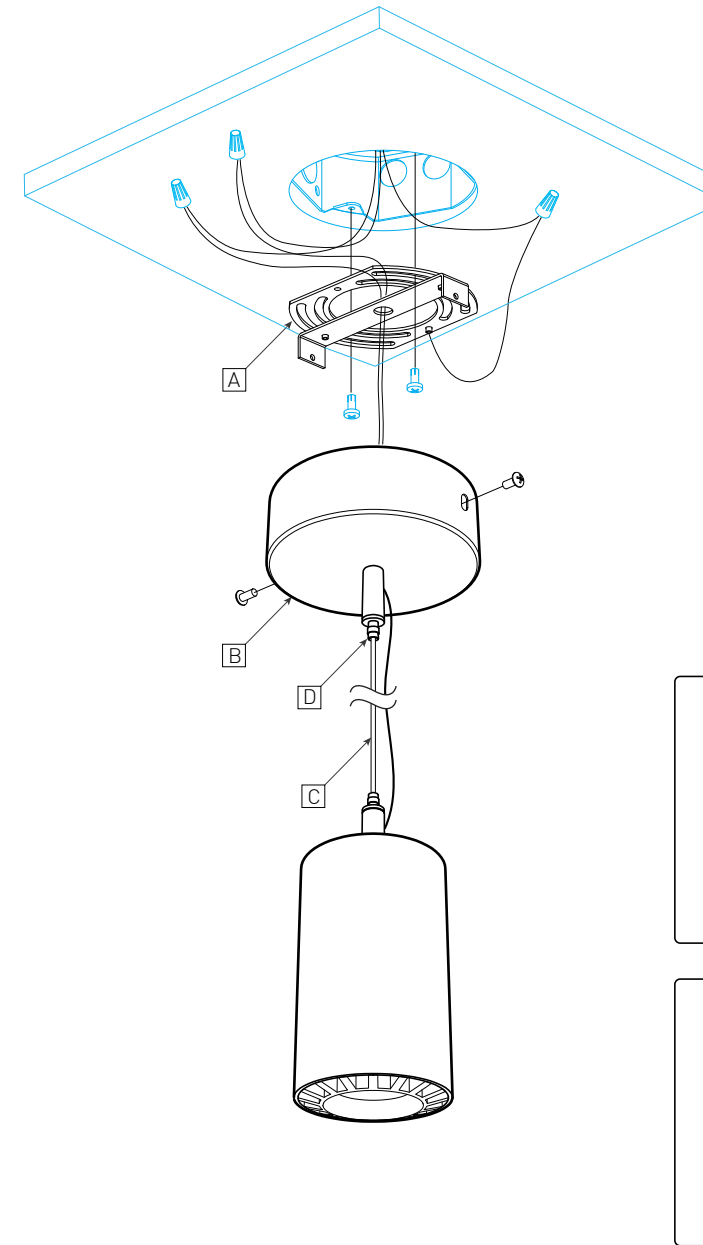
2021  
2021B  
350<sub>l</sub>

2021  
2021B  
60<sub>l</sub>

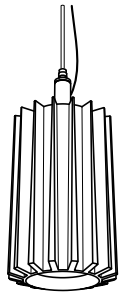
POINT  
X044



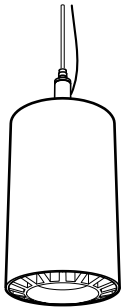
# Installation Overview



PRODUCTS  
PRODUITS



TURBINE



POINT

SPECIFICATIONS	8W LED	11W LED	18W LED
LIGHT SOURCE	4 LED on MCPCB - System wattage 10W Total	1 x COB LED - System wattage 15W Total	1 x COB LED - System wattage 22W Total
DELIVERED LUMENS	964 lm	1438 lm (40° optic) or 1457 lm (20° optic)	1858 lm (40° optic) or 1882 lm (20° optic)
CRI	80 CRI (typical)		
CCT	3-step MacAdam Ellipse binning		
HOUSING	Machined aluminium tube		
HEATSINK	Black anodized aluminum		
LIGHT DISTRIBUTION	Directional (2044/2044B) or Direct (4044/4544)		
OPTICS	Total Internal Reflection (TIR) - 17° & 48°		
VOLTAGE	120V or 277V	120V (DP) and 120-277V (DV)	120V (DP) and 120-277V (DV)
DRIVER	Constant Current 700mA, UL Recognized	Constant Current 350mA, UL Recognized	Constant Current 500mA, UL Recognized
DIMMING	Phase Dimming (DP) and 0-10V Dimming (DV)		
LM-79	On request	On request	On request
WARRANTY	5 years		

## INSTALLATION

BEFORE YOU START, REMOVE THE 2 SCREWS [A] (8-32 X 3/8in) TO RELEASE THE UNIVERSAL PLATE [B].

**1 - INSTALL THE UNIVERSAL PLATE [B] ON THE JUNCTION BOX AND CONNECT WIRES (WIRE NUTS AND SCREWS ARE NOT SUPPLIED).**

**2 - INSTALL THE CANOPY [C] ON THE UNIVERSAL PLATE USING THE 2 SUPPLIED SCREWS [A].**

## ADJUSTMENT

INSERT AIRCRAFT CABLE [C] INTO STRAIN RELIEF [D]. ADJUST WIRE LENGTH AS NEEDED (AIRCRAFT CABLE AND ELECTRICAL WIRE)

## MAINTENANCE

FOR INFORMATION ABOUT LED OR DRIVER REPLACEMENT, PLEASE CONTACT YOUR EUREKA AGENT.

## INSTALLATION

AVANT DE COMMENCER, DÉVISSER LES 2 VIS [A] (8-32 X 3/8in) POUR LIBÉRER LA PLAQUE UNIVERSELLE [B].

**1 - INSTALLER LA PLAQUE UNIVERSELLE [B] SUR LA BOITE DE JONCTION ET FAIRE LA CONNEXION DES FILS (MARRETTES ET VIS NON INCLUSES).**

**2 - FIXER LE PAVILLON [C] À LA PLAQUE UNIVERSELLE [B] EN UTILISANT LES 2 VIS [A].**

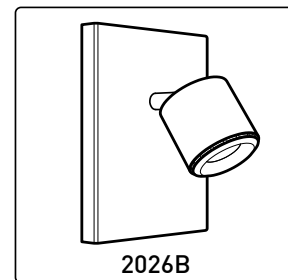
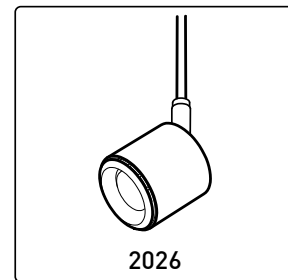
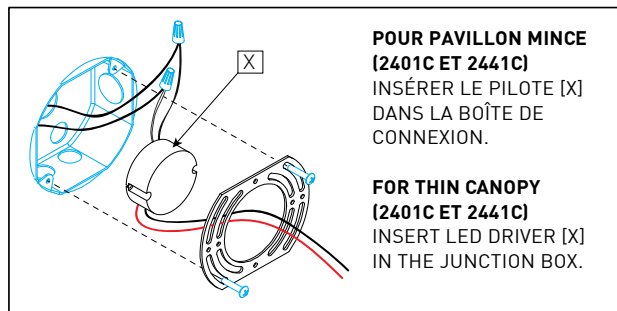
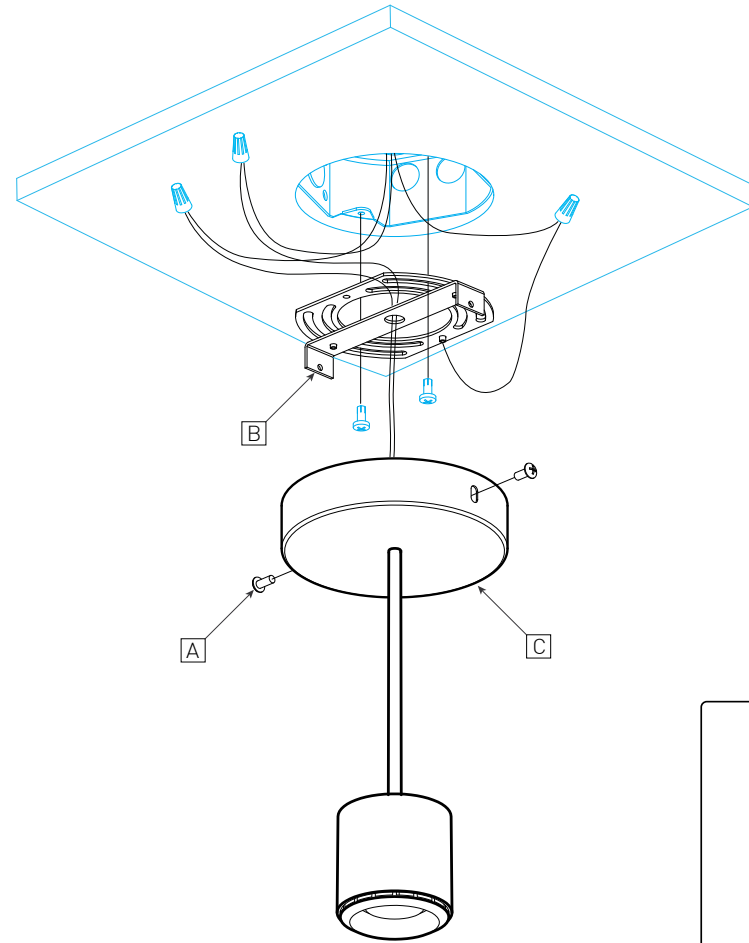
## AJUSTEMENT

INSÉRER LE CÂBLE D'ACIER [C] DANS LES SERRE-FILS [D]. AJUSTER LA SUSPENSION À LA HAUTEUR DÉSIRÉE (CÂBLE D'ACIER ET FIL ÉLECTRIQUE).

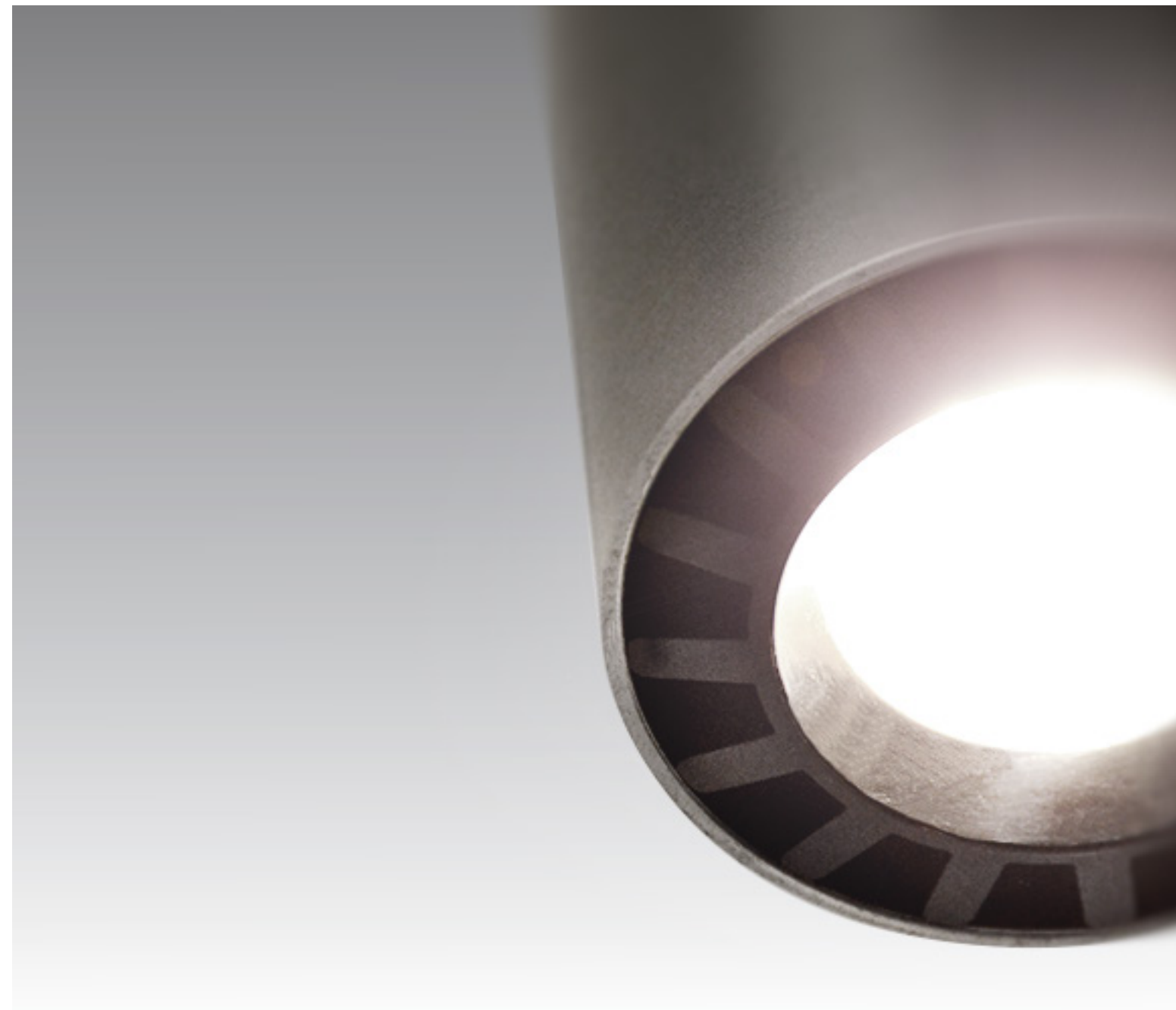
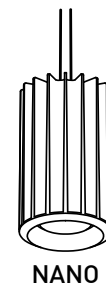
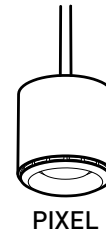
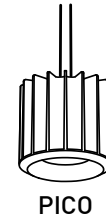
## MAINTENANCE

POUR LES INFORMATIONS RELIÉES AU REMPLACEMENT DES DEL OU DES PILOTES, VEUILLEZ CONTACTER VOTRE AGENT EUREKA.

# Installation Overview



## PRODUCTS PRODUITS



## INSTALLATION

BEFORE YOU START, REMOVE THE 2 SCREWS [A] (8-32 X 3/8in) TO RELEASE THE UNIVERSAL PLATE [B].

1 - INSTALL THE UNIVERSAL PLATE [B] ON THE JUNCTION BOX AND CONNECT WIRES (WIRE NUTS AND SCREWS ARE NOT SUPPLIED).

2 - INSTALL THE CANOPY [C] ON THE UNIVERSAL PLATE USING THE 2 SUPPLIED SCREWS [A].

## MAINTENANCE

FOR INFORMATION ABOUT LED OR DRIVER REPLACEMENT, PLEASE CONTACT YOUR EUREKA AGENT.

## INSTALLATION

AVANT DE COMMENCER, DÉVISSER LES 2 VIS [A] (8-32 X 3/8in) POUR LIBÉRER LA PLAQUE UNIVERSELLE [B].

1 - INSTALLER LA PLAQUE UNIVERSELLE [B] SUR LA BOÎTE DE JONCTION ET FAIRE LA CONNEXION DES FILS (MARRETTES ET VIS NON INCLUSES).

2 - FIXER LE PAVILLON [C] À LA PLAQUE UNIVERSELLE [B] EN UTILISANT LES 2 VIS [A].

## MAINTENANCE

POUR LES INFORMATIONS RELIÉES AU REMPLACEMENT DES DEL OU DES PILOTES, VEUILLEZ CONTACTER VOTRE AGENT EUREKA.